



PATTERN

Open	Show 1/2	Show 3/4	Finals
Junior Working Cowhorse	# 2.....	# 8	
Senior Working Cowhorse	# 9.....	# 4	
Junior Reining	# 2.....	# 8	# 5
Hackamore/Snaffle Bit Reining	# 4.....	# 6	# 8
Senior Reining	# 6.....	# 9	# 1
Junior Western Riding	# 3.....	# 4	# 1
Senior Western Riding	# 4.....	# 3	# 2

Amateur	Show 1/2	Show 3/4	Finals
Working Cowhorse	# 11.....	# 3	
Reining	# 8.....	# 9	# 6
Western Riding	# 2.....	# 1	# 4

Amateur Select	Show 1/2	Show 3/4	Finals
Reining.....	# 5.....	# 2	# 6

Youth	Show 1/2	Show 3/4	Finals
Reining 13 & Under	# 6.....	# 2	# 5
Reining 14-18	# 4.....	# 8	# 6
Western Riding	# 4.....	# 3	# 1



PATTERN

Open	Show 1/2	Show 3/4	Finals
------	----------	----------	--------

Junior Trail	page 42.....	page 46	page 50
Senior Trail	page 43.....	page 47	page 49

Amateur	Show 1/2	Show 3/4	Finals
---------	----------	----------	--------

Showmanship	page 40.....	page 44	page 48
Trail	page 43.....	page 47	page 49
Horsemanship	page 41.....	page 45	page 48
Hunt Seat Equitation.....	page 42.....	page 46	page 49

Amateur Select	Show 1/2	Show 3/4	Finals
----------------	----------	----------	--------

Showmanship	page 40.....	page 44	page 48
Trail	page 43.....	page 47	page 49
Horsemanship	page 41.....	page 45	page 48

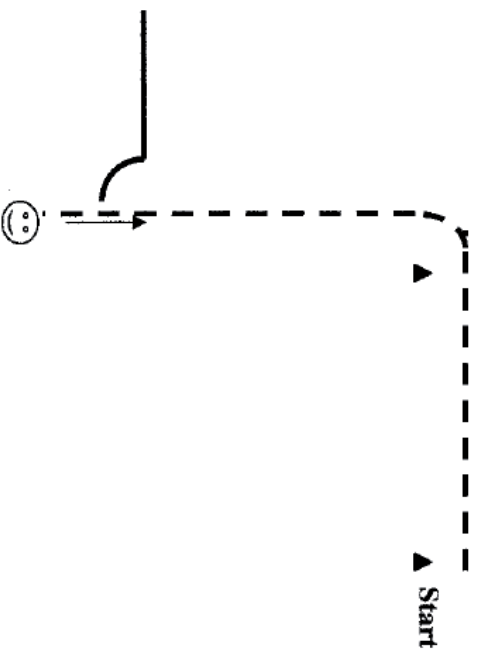


PATTERN

Youth	Show 1/2	Show 3/4	Finals
Showmanship -13	page 40.....	page 44	page 48
Showmanship 14-18.....	page 40.....	page 44	page 48
Trail -13	page 42.....	page 46	page 50
Trail 14-18.....	page 43.....	page 47	page 49
Horsemanship -13	page 41.....	page 45	page 48
Horsemanship 14-18.....	page 41.....	page 45	page 48
Hunt Seat Equitation.....	page 42.....	page 46	page 49



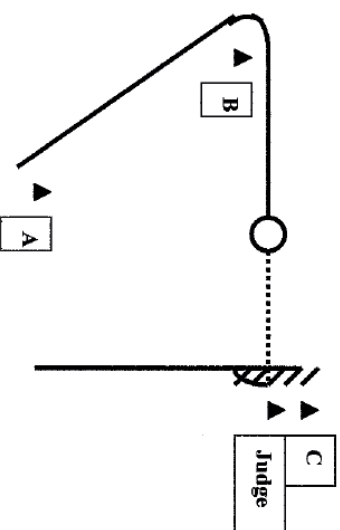
AQHA Show 1/2
4127 Youth 13 & Under Showmanship



1. Trot to the judge and set up for inspection.
2. When excused, back horse.
3. Turn 90 degrees to the right.
4. Walk away and line up.

Walk / Schritt
 Trot / Trab -----
 Back / Rückwärts ← 33333
 Marker / Pylone (B)
 Judge / Richter (J)

AQHA Show 1/2
4128 Youth 14-18 Showmanship
2120 Amateur Showmanship
2128 Amateur Select Showmanship

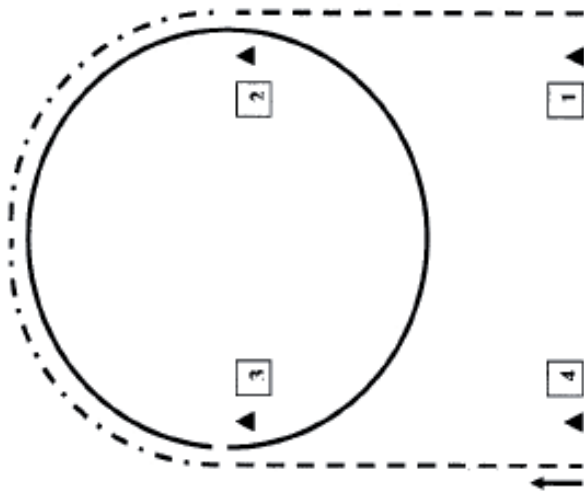


1. Begin at A. Trot around B.
2. Halfway to the judge, stop and execute a 360 degree turn.
3. Walk to judge, execute a 90 degree turn and set up.
4. After inspection, back to C.
5. Exit at a trot.

Walk / Schritt
 Trot / Trab -----
 Back / Rückwärts ← 33333
 Marker / Pylone (B)
 Judge / Richter (J)

AQHA Show 1/2

4407 Youth 13 & Under Horsemanship

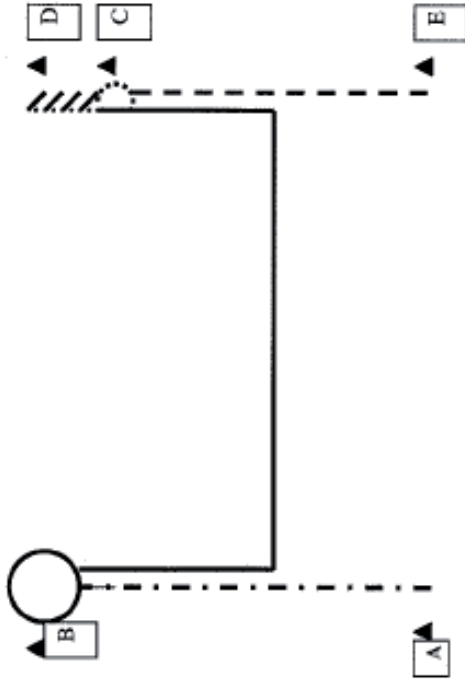


1. Jog from marker 1 to marker 2.
2. Extend the jog in a half circle to marker 3.
3. At marker 3 pick up the left



AQHA Show 1/2

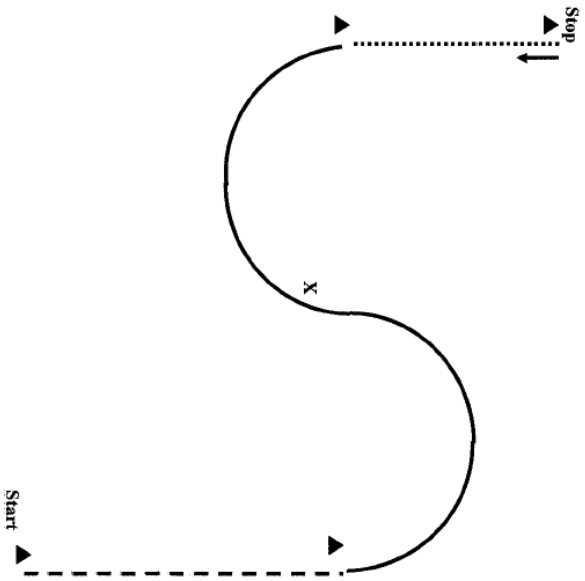
4408 Youth 14-18 Horsemanship
2400 Amateur Horsemanship
2408 Amateur Select Horsemanship



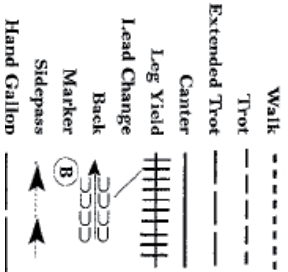
1. Extended jog from A to B.
2. 1 1/2 spins to the left.
3. Lope left lead in the shape of a 12 square to C.
4. Walk from C to D.
5. Back from D to C and do a roll back on the right.
6. Jog from C to E.



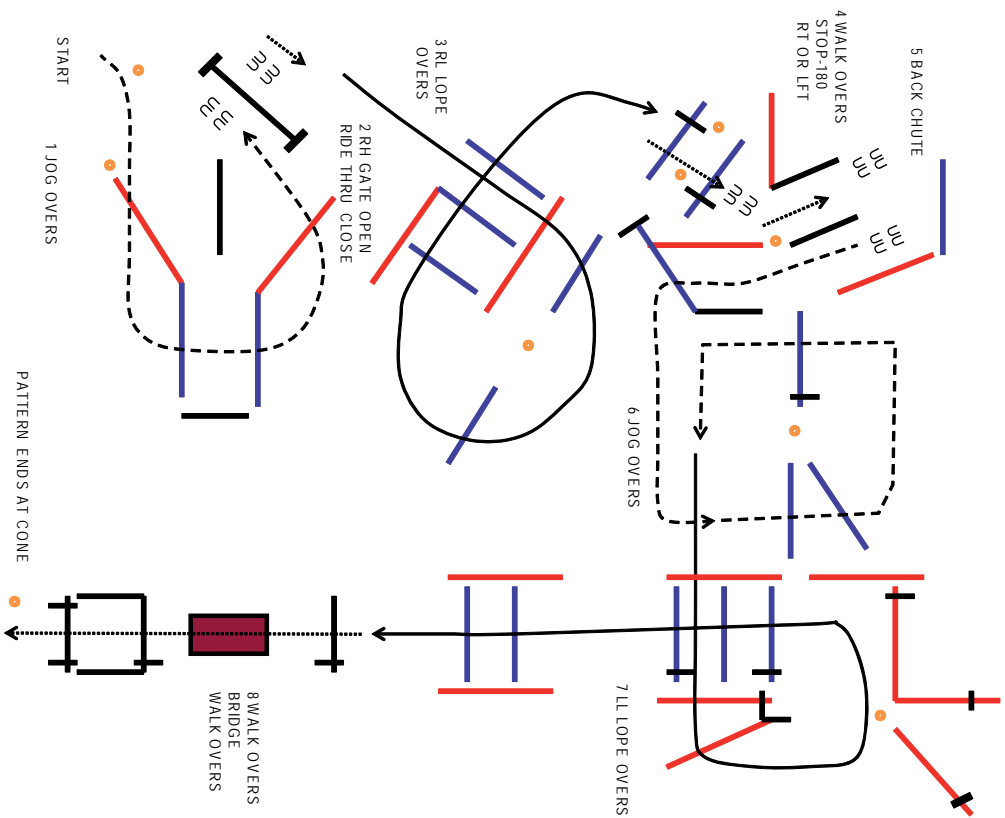
AQHA Show 1/2
 4520 Youth Hunt Seat Equitation
 2520 Amateur Hunt Seat Equitation



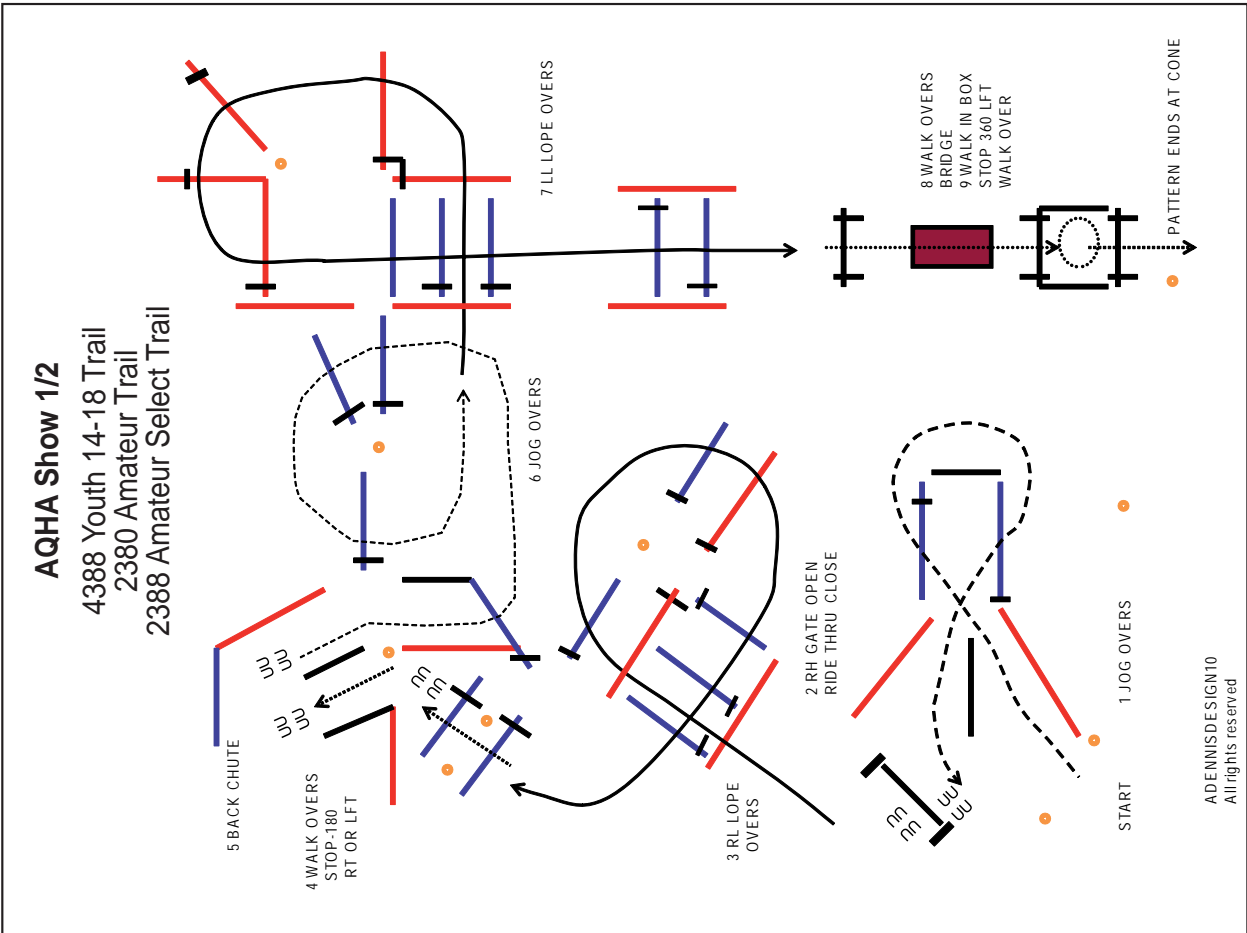
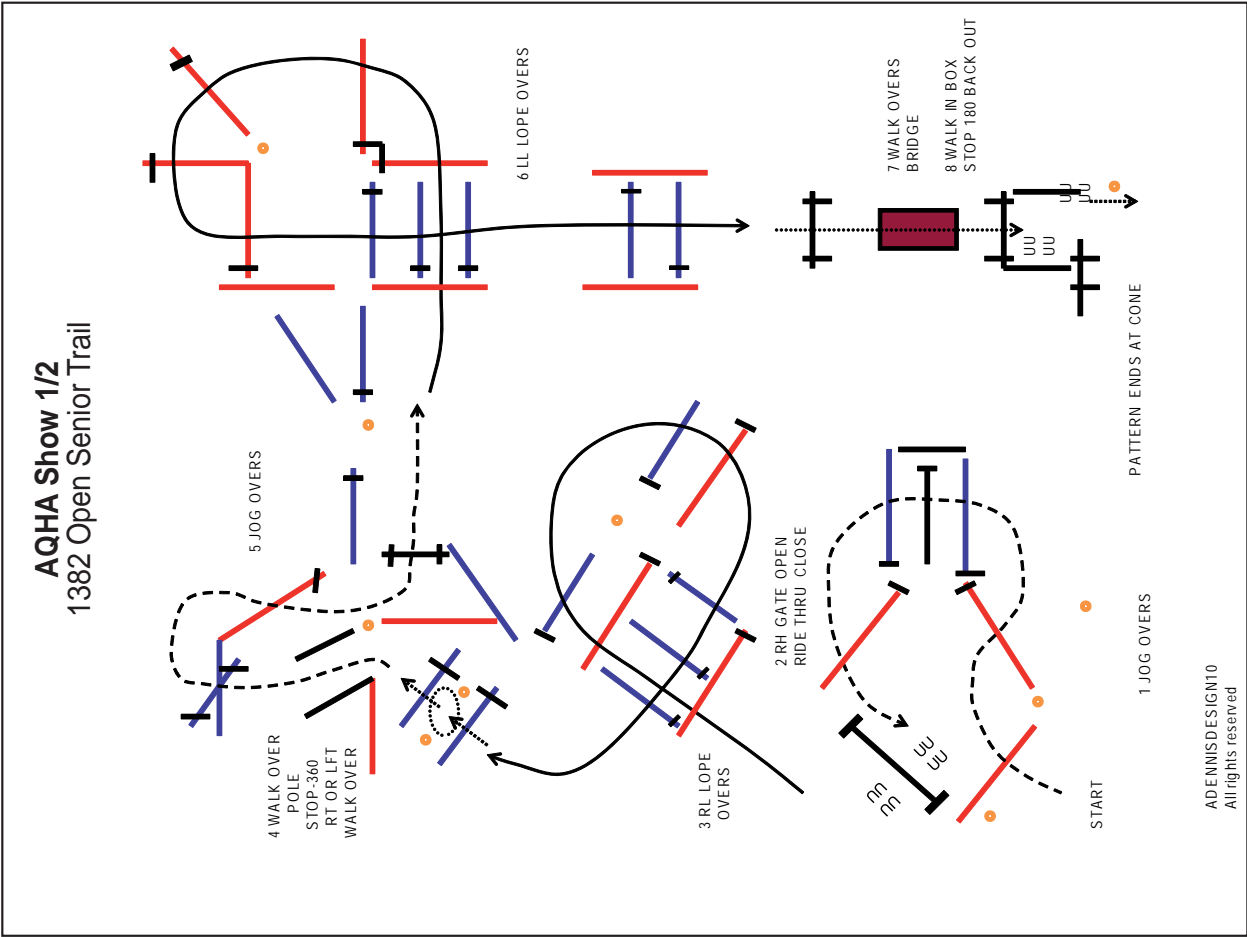
1. Posting trot on the right diagonal.
2. Canter 1/2 circle on the left lead.
3. Simple change at X.
4. Canter 1/2 circle on the right lead.
5. Sitting trot to the final cone.
6. Stop and back.



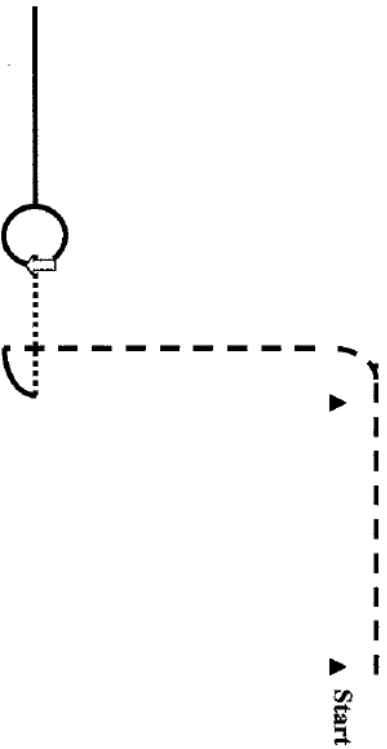
AQHA Show 1/2
 4387 Youth 13 & Under Trail
 1381 Open Junior Trail



ADENNISDESIGN10
 All rights reserved



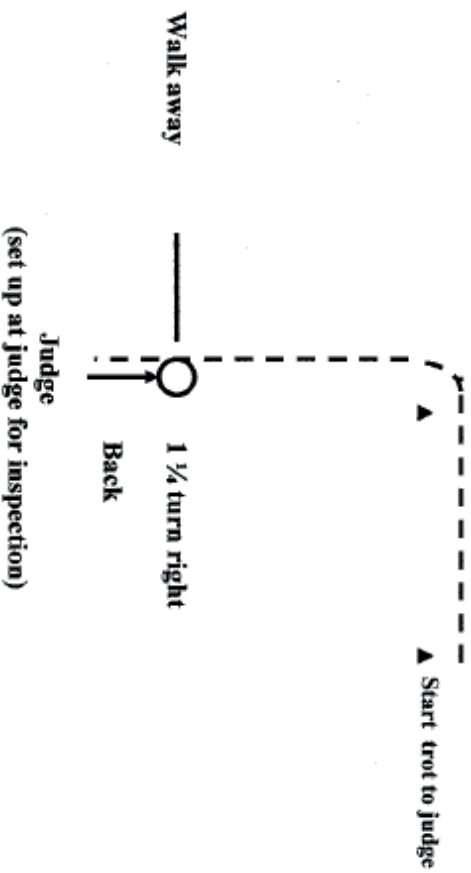
AQHA Show 3/4
 4128 Youth 14-18 Showmanship
 2120 Amateur Showmanship
 2128 Amateur Select Showmanship






1. Trot from the first cone, around the second cone to the judge and set up.
2. After excused from inspection, do a 1/4 pull turn.
3. Back your horse 5 steps.
4. Do a 1 1/2 push turn and walk away.

Walk / Schritt
 Trot / Trab -----
 Back / Rückwärts 
 Marker / Pylone (B) 
 Judge / Richter (J) 

AQHA Show 3/4
 4127 Youth 13 & Under Showmanship

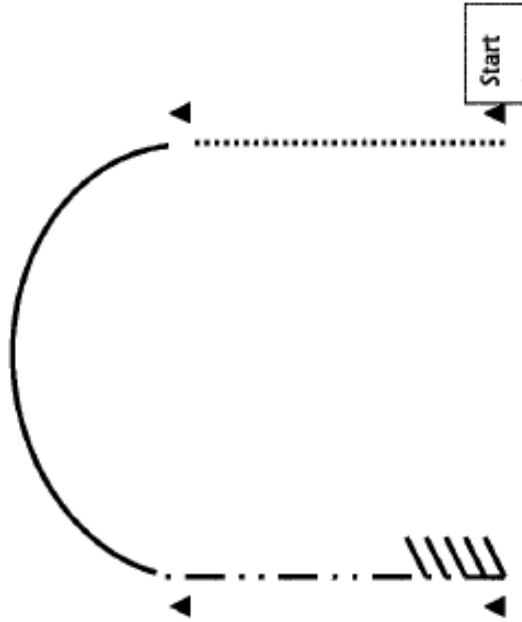


1. Trot from the first cone, around the second cone to the judge and set up.
2. After excused from inspection, back 5 steps.
3. Do a 1 1/4 push turn.
4. Walk away.

Walk / Schritt
 Trot / Trab -----
 Back / Rückwärts 
 Marker / Pylone (B) 
 Judge / Richter (J) 

AQHA Show 3/4

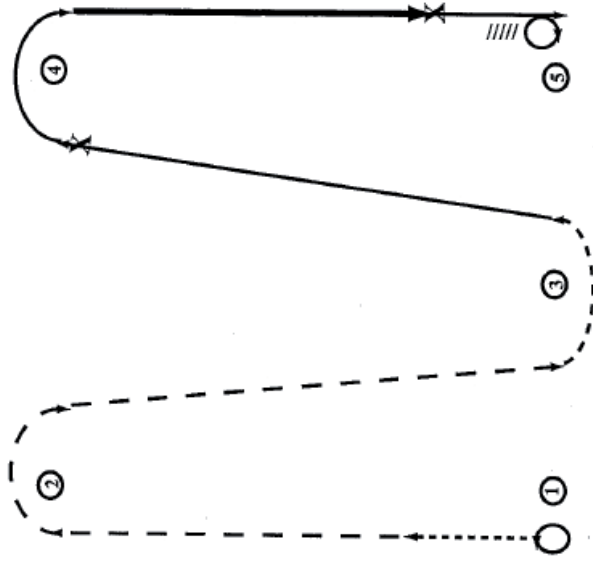
4407 Youth 13 & Under Horsemanship



1. Walk from the first marker to the second.
2. Lope on the left lead to the next marker, break to jog.
3. Extend the jog to the last marker.
4. Stop and back.

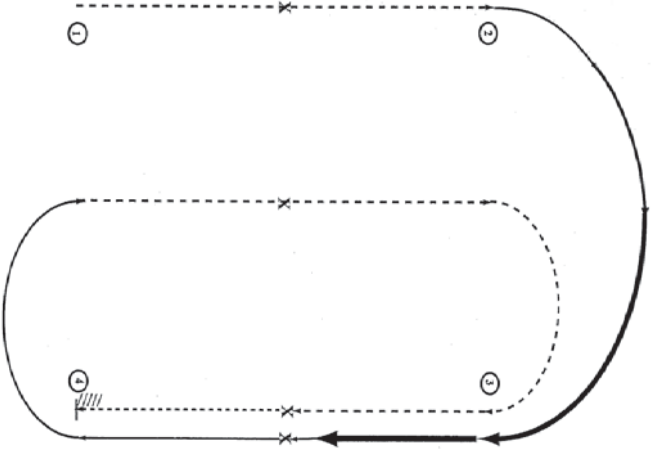
AQHA Show 3/4

4408 Youth 14-18 Horsemanship
2400 Amateur Horsemanship
2408 Amateur Select Horsemanship

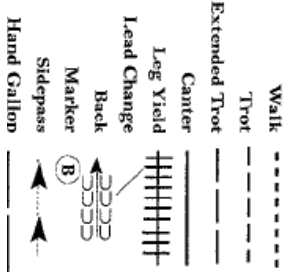


1. 360° turn to the left at marker 1 and walk 15 feet (4.5 meter).
2. Moderate extension of the jog around marker 2 to marker 3.
3. Jog around marker 3.
4. Lope on the left lead and change leads at the "X".
5. Lope around marker 4 and increase speed to the "X" before marker 5.
6. Collect to the lope and continue loping to marker 5.
7. Stop at marker 5, 360° turn to the right and back five strides.
8. Exit at the jog.

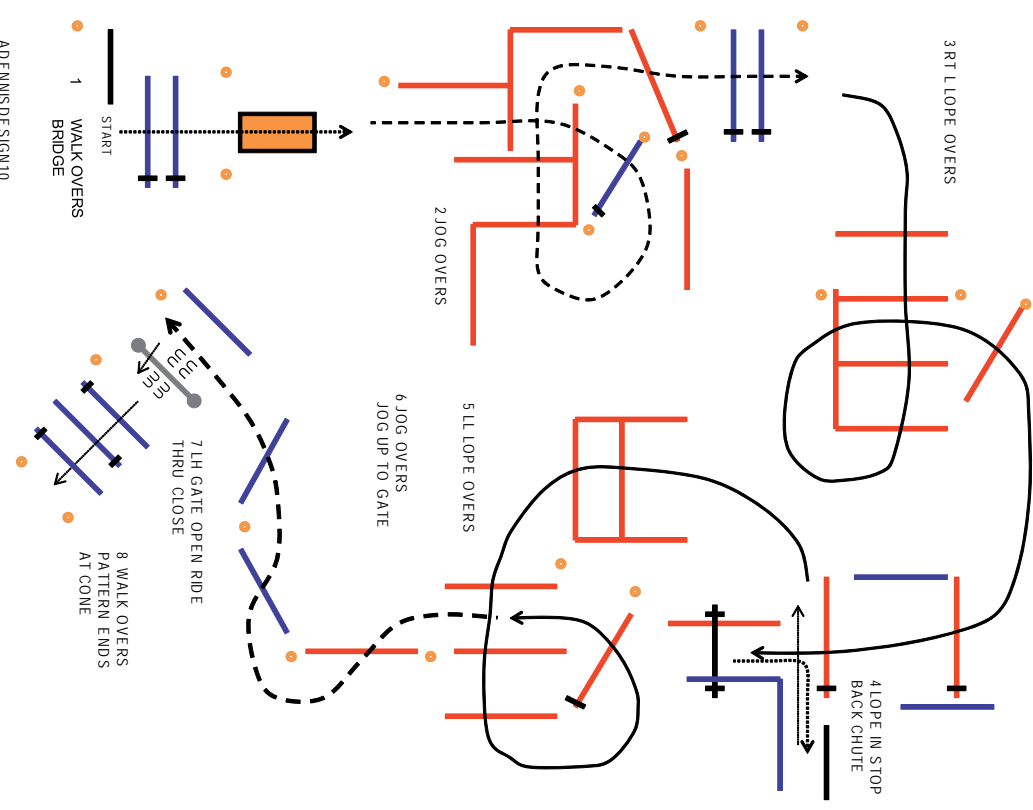
AQHA Show 3/4
 4520 Youth Hunt Seat Equitation
 2520 Amateur Hunt Seat Equitation



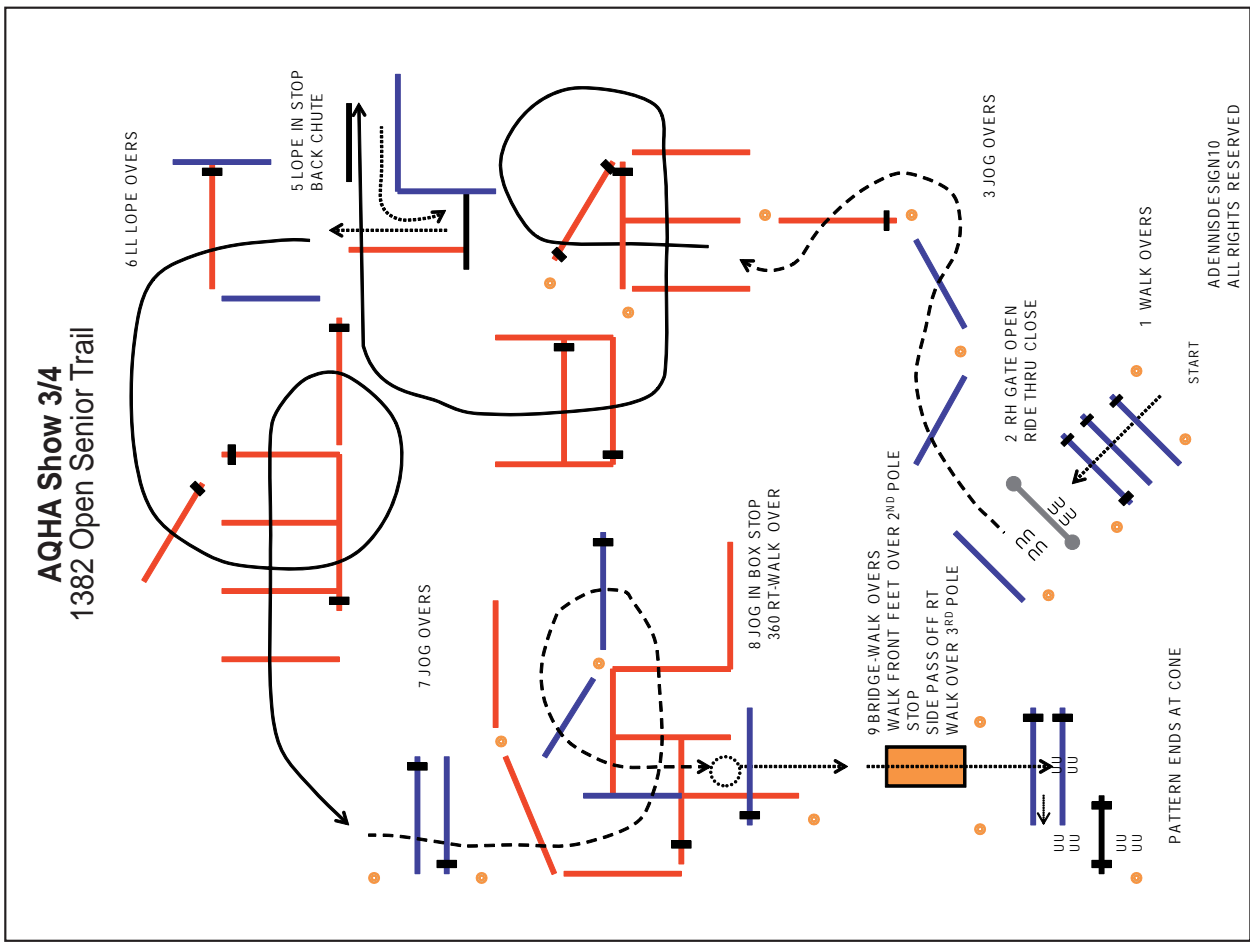
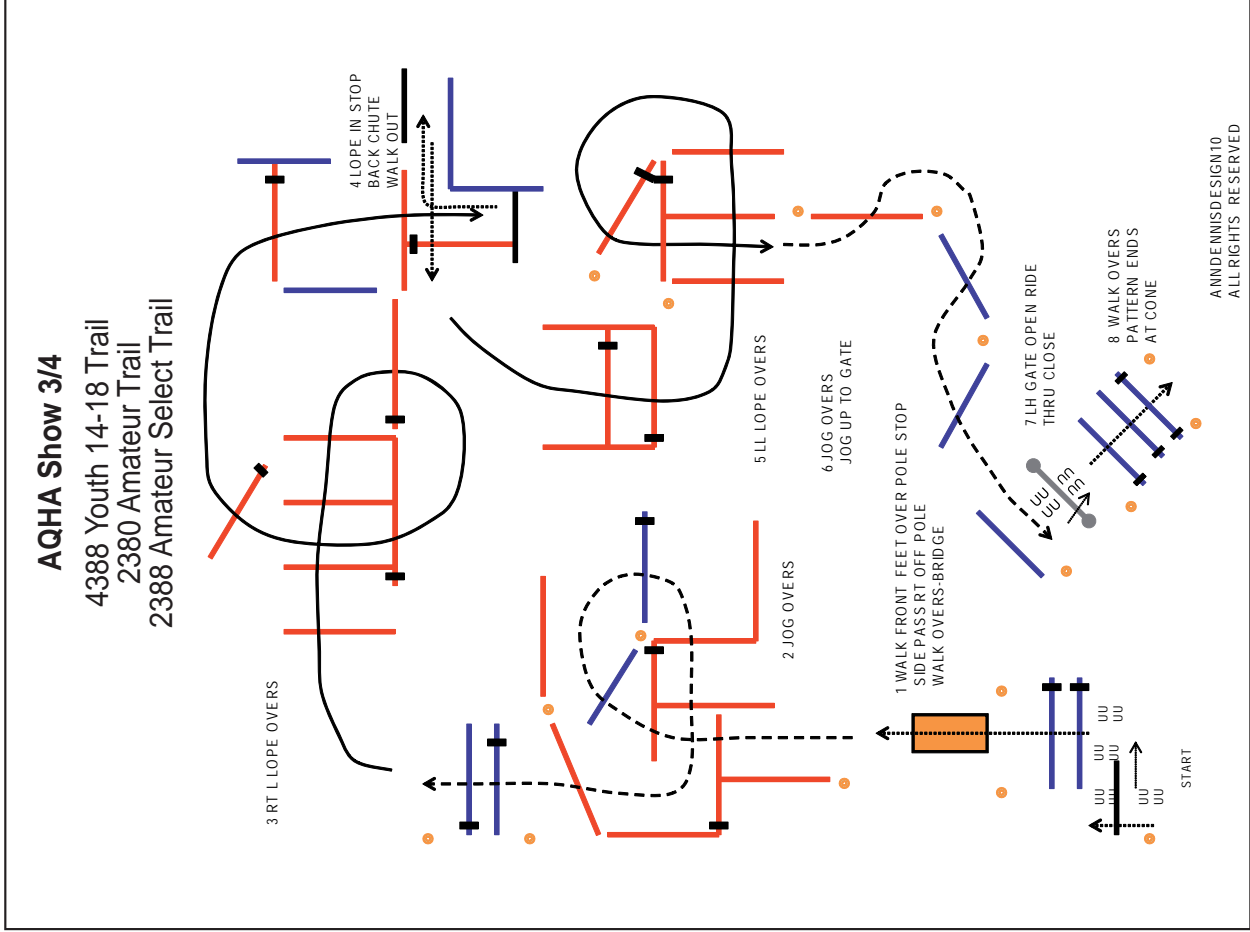
1. Start trotting at marker 1 on the right diagonal.
2. Halfway to marker 2, change to the left diagonal.
3. At marker 2, transition to the canter slowly building to a hand gallop.
4. Halfway to marker 4, collect to the canter and change leads.
5. Counter-center around marker 4 and transition to the trot on the right diagonal.
6. Halfway to marker 3, change diagonals.
7. Trot around marker 3. Halfway to marker 4 transition to the sitting trot.
8. Halt at marker 4. Back 5 steps.
9. Exit at a walk or trot.



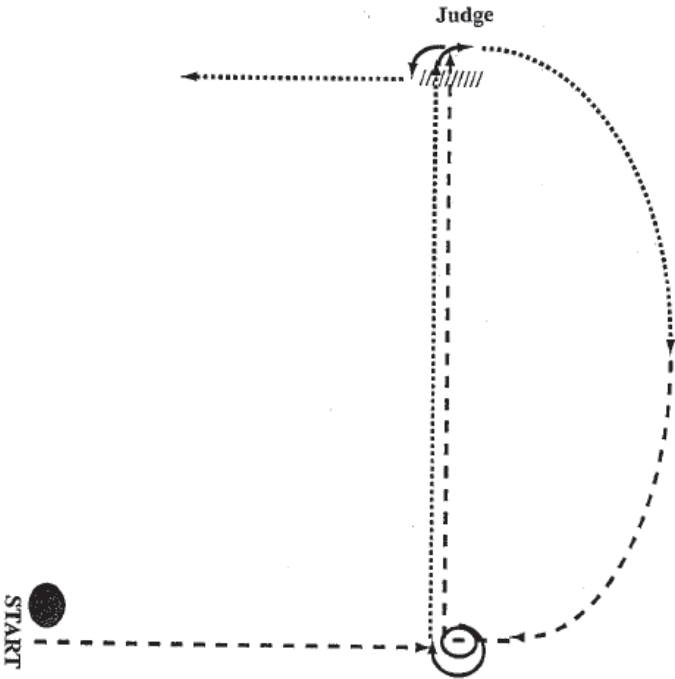
AQHA Show 3/4
 4387 Youth 13 & Under Trail
 1381 Open Junior Trail



ADENNIS DESIGN10
 ALL RIGHTS RESERVED

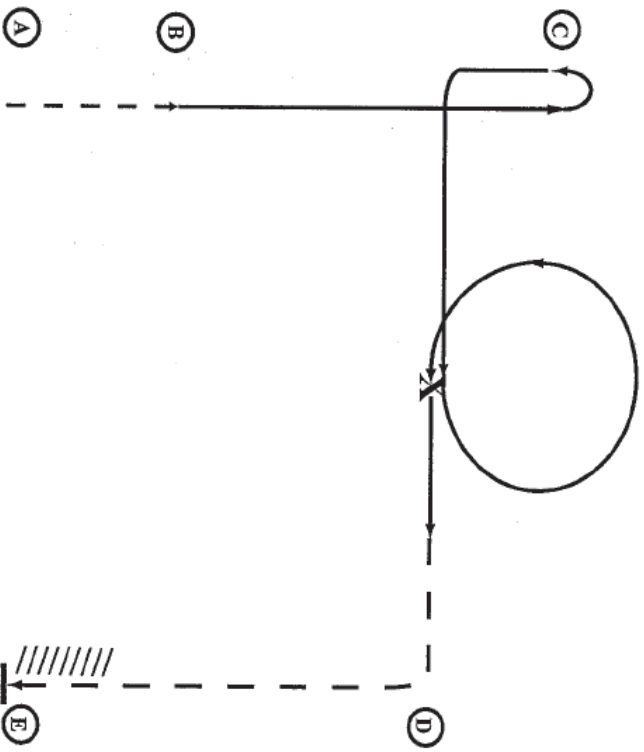


ECQH 2010 Finals
all Showmanships



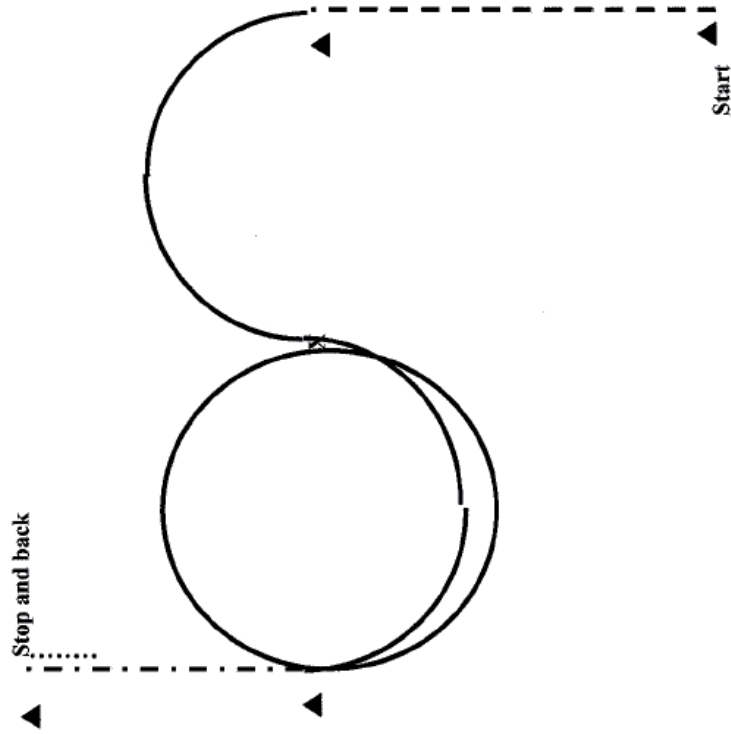
1. Trot from the marker to a point across from the judge.
2. Execute 1 3/4 urns.
3. Walk to the judge, complete a 1/4 turn and set up.
4. Upon completion of set-up, walk 1/4 circle.
5. Trot 1/4 circle, make a square corner and trot to the judge.
6. Stop, perform a pull turn and set up for inspection.
7. After inspection, back two horse lengths.
8. Exit at a walk or trot.

ECQH 2010 Finals
all Horsemanship



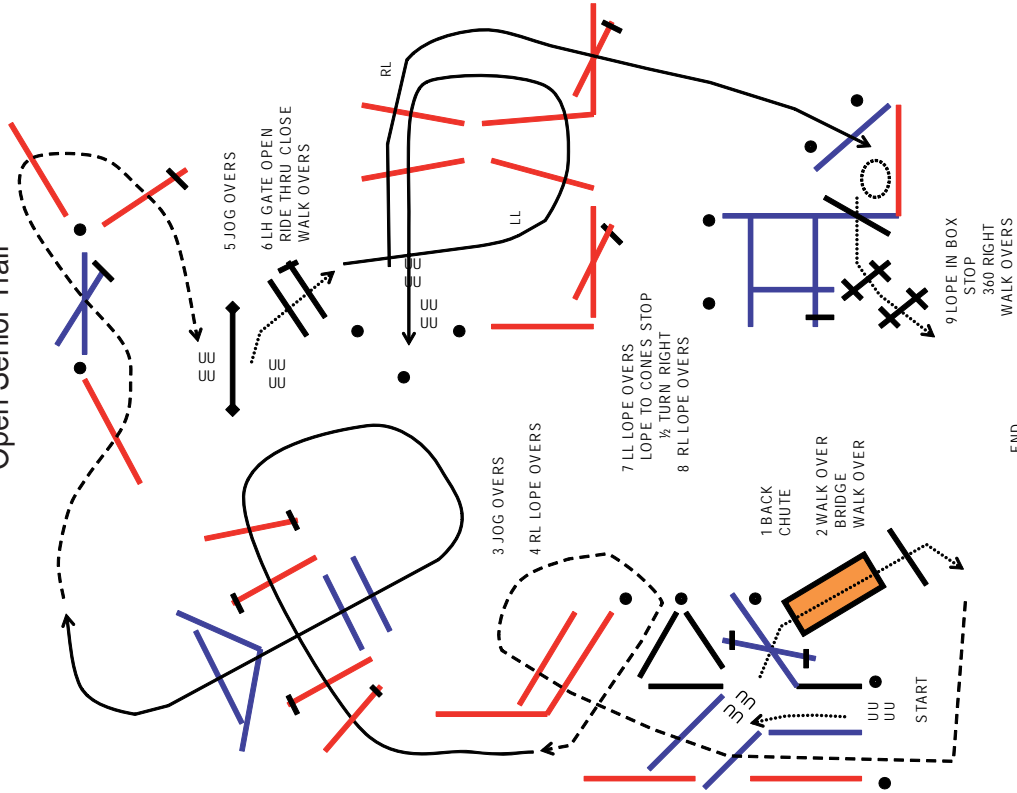
1. Jog from A to B.
2. Lope on the right lead with speed from B to C.
3. At C, stop and rollback to the left.
4. Lope on the left lead and make a corner towards D.
5. Complete a circle to the left.
6. Change leads at the "X".
7. At the midway point from the lead change and D, transition to the moderate extension of the jog and continue to E.
8. At E, stop and back, one horse length.
9. Hesitate to show completion of pattern.

ECQH 2010 Finals
all Hunt Seat Equitations



1. Posting trot on the right diagonal.
2. At cone 2 canter 1/2 circle on the left lead.
3. Lead change at X.
4. Continue on the right lead for 1 1/2 circle.
5. At cone 3 sitting trot to cone 4 and stop and back.

ECQH 2010 Finals
Trail Youth 14-18
Amateur Trail
Amateur Select Trail
Open Senior Trail



ADENMISDESIGN10
ALL RIGHTS RESERVED

